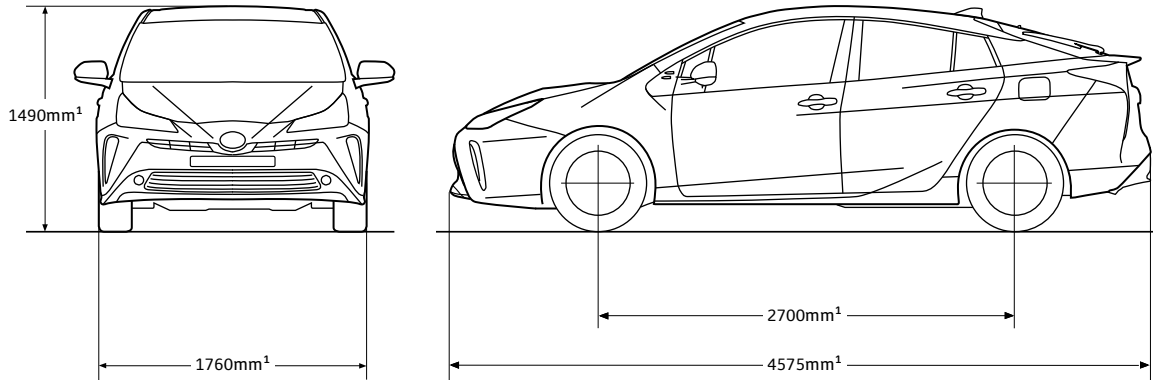


# Prius



MECHANICAL SPECIFICATIONS		Prius	Prius i-Tech®
<b>Engine</b>	Engine description	1.8L Atkinson Cycle, 4-cylinder petrol engine with Toyota Hybrid System	
	Engine code	2ZR-FXE	
	Maximum power (kW @ rpm) <sup>2</sup>	72kW @ 5200rpm <sup>2</sup>	
	Maximum torque (Nm @ rpm) <sup>2</sup>	142Nm @ 3600rpm <sup>2</sup>	
	Combined power maximum output <sup>2</sup>	90kW <sup>2</sup>	
	Bore x stroke	80.5 x 88.3mm	
	Compression ratio	13.0 : 1	
<b>Fuel</b>	Fuel economy – ADR81/02 combined cycle <sup>3</sup>	3.4L/100km	
	Emissions – combined CO <sub>2</sub> <sup>4</sup>	80g/km	
<b>Transmission</b>	Type	Continuously Variable Transmission (CVT)	
<b>Steering, Brakes and Suspension</b>	Electric power steering	•	•
	Regenerative braking system	•	•
	Double wishbone rear suspension	•	•
	MacPherson strut front suspension	•	•
<b>Weights<sup>1</sup> (Approximate)</b>	Vehicle kerb weight (kg) <sup>1</sup>	1375 – 1400 <sup>1</sup>	1375 – 1400 <sup>1</sup>
	Gross vehicle weight (kg) <sup>1</sup>	1790 <sup>1</sup>	1790 <sup>1</sup>
	Fuel tank capacity (L)	43	43
<b>Wheels</b>	Size and type	15" alloy	17" alloy
<b>Exterior</b>	Front fog lamps	•	•
	LED Daytime Running Lamps	•	•
	Auto-levelling Bi-LED headlamps	•	•
	Electrically adjustable exterior mirrors with side indicators	•	•
	Rain sensing wipers	•	•
	Privacy glass	•	•

MECHANICAL SPECIFICATIONS		Prius	Prius i-Tech®
Interior	3-spoke synthetic leather steering wheel	•	•
	Driver and front passenger heated seats		•
	60:40 split fold rear seats	•	•
Instruments and Controls	Smart entry (Activation on driver's door only) and start system	•	
	Smart entry (Activation on driver, passenger and boot doors) and start system		•
	Advanced climate control air conditioning	•	•
	LCD Multi Information Display including driving information, audio system information, climate control details, driver support, warning messages, and settings	•	•
	Head-up Display	•	•
	Auto-dimming rear view mirror	•	•
Storage	Illuminated glove box	•	•
	Centre console with armrest lid	•	•
	Sunglass holder – front overhead console	•	•
	Front seat back storage pocket	•	•
	Beverage holders: 2 x front and 2 x rear; Bottle holders: 2 x front and 2 x rear	•	•
Multimedia	JBL® <sup>5</sup> 10-speaker premium sound system	•	•
	Steering wheel mounted audio and telephone controls	•	•
	7" colour display audio with Toyota Link, <sup>6</sup> hands-free Bluetooth <sup>7</sup> media streaming, single CD player, AM/FM tuner, AUX/USB <sup>8</sup> input	•	•
	Satellite navigation <sup>9</sup> and digital radio <sup>9</sup>	•	•
	Wireless phone charger <sup>10</sup>	•	•
Safety	Toyota Safety Sense Including Lane Departure Alert, Pre-Collision Safety system, Automatic High Beam and Active Cruise Control	•	•
	Anti-lock Braking System with Electronic Brake-force Distribution and Brake Assist	•	•
	Vehicle Stability Control, Traction Control and Hill-start Assist Control	•	•
	LED taillights with Emergency Brake Signal	•	•
	Reversing camera with moving guidelines	•	•
	Blind Spot Monitor and Rear Cross Traffic Alert		•
	Seven SRS airbags – including driver's knee airbag	•	•

1 Weights/mass/volumes/dimensions are approximate and subject to individual vehicle variances, and should be confirmed before fitting any accessories, towing or otherwise relying on this value.

2 Power and torque test standards differ. Ensure comparisons use same test standard.

3 Achieved in test conditions for comparison purposes only. Actual fuel consumption varies depending on driving conditions/style, vehicle condition, load and options/accessories fitted. Source: ADR81/02 combined cycle 3.4L/100km.

4 Emissions vary depending on driving conditions/style, vehicle condition & options/accessories fitted.

5 JBL® is a registered trademark of Harman International Industries, Incorporated.

6 Requires installation of a compatible app, third party information, sufficient mobile data and GPS signal. Mobile usage is at user's cost. Toyota Australia reserves the right to add, remove or modify applications. For further information see [toyota.com.au/toyotalink](http://toyota.com.au/toyotalink)

7 The Bluetooth® word mark is owned by Bluetooth SIG, Inc. Not all devices will be compatible and functionality varies depending on the device.

8 Compatibility and functionality varies depending on device.

9 Coverage varies, and dependent on vehicle location.

10 Only Qi-supported devices compatible. Refer to device manufacturer. May require additional purchase of accessory to support wireless charging.

#### IMPORTANT NOTICE – PLEASE READ:

Toyota Australia uses its best endeavours to ensure material is accurate at the time of publishing. All information must be confirmed with your Toyota Dealer at the time of ordering, as specifications, applicability and availability may change over time. Colours depicted are a guide only and may vary from actual colours due to the printing/display process. Toyota Australia reserves the right to change and/or discontinue, without notice, models, prices, colours, materials, equipment, specifications. To the extent permitted by law, Toyota Australia will not be liable for any damage or loss incurred

from relying on the information and images contained in this material. Distributed nationally (other than in Western Australia) by Toyota Motor Corporation Australia Limited ABN 64 009 686 097. Material distributed in Western Australia by or on behalf of Prestige Motors Pty Ltd (for vehicles) and by Eastpoint Pty Ltd (for parts/accessories). Toyota Australia makes no warranties regarding (and will not be liable for) accuracy of materials distributed in Western Australia. PROOF HQ: T2019-011648. GTP1879. VERSION: MARCH 2019.